

## How to clean the Dräger Babyleo TN500 Cleaning in 5 steps



Please complete all cleaning practices according to your hospitals guidelines. This document is for informational purposes only. Refer to the instructions for use of the device for full disassembly, cleaning and disinfecting instructions.

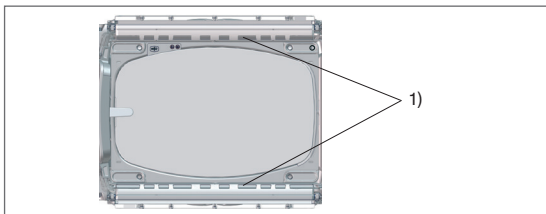
**Prerequisites:** There is no patient in the device.

### 1 Starting the automatic humidifier cleaning:

- Open the hood.
- On the Main menu touch the *Special procedures...*
- Open the *Humidifier cleaning* tab.
- Touch the *On* button and confirm with rotary knob.
- Wait until the humidifier cleaning is complete. This can take up to 60 minutes. Do not disassemble the device during cleaning.
- Switch off the device and let it cool before continuing.

### 3 Surface disinfection cleaning for:

- Each part removed during disassembly.
- Hood and access panels from inside and outside.
- X-ray flap air ducts (1): clean by pulling a piece of cloth soaked in disinfectant through each duct.



- Display, main column, trolley, handles and all outer parts.
- Drawer from outside and inside including insert piece.



Only use disinfectants as listed in the instructions for use. Make sure no liquid penetrates into the device.

### 2 Please turn the page for assembling and disassembling.



### 4 Machine cleaning and thermal disinfection for:

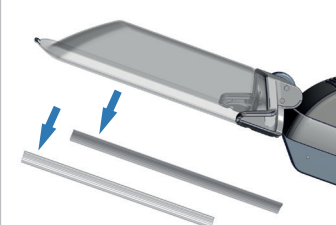
- grommets
- fan impeller

### 5 Ensure all surfaces are dry before using for therapy.

### Disassembly ►

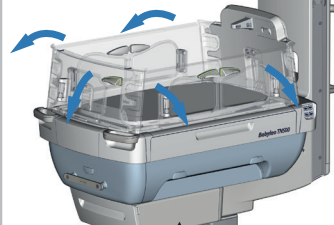
Step 1, 3, 4 and 5, please turn the page 

**1** Open the hood and remove frame seals from both sides.



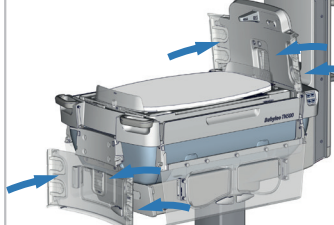
**12** Fasten the seals on the edges of the hood and ensure the seals are correctly positioned.

**2** Open front and side access panels.



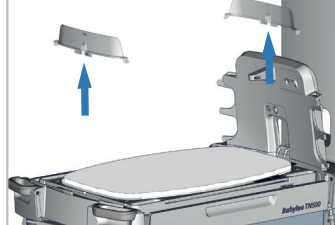
**11** Close front and side access panels.

**3** Remove hose grommets on the sensor wall and on the front access panel (6 pieces total).



**10** Insert hose grommets on the sensor wall and front access panel (6 pieces total).

**4** Remove the 2 mini-walls at both ends of the mattress tray.



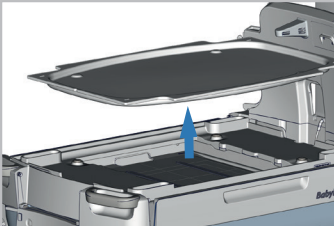
**9** Insert the 2 mini-walls at both ends of the mattress tray.

**5** Disconnect heated mattress\* and scale\* cables and remove mattress. Or simply remove SoftBed.



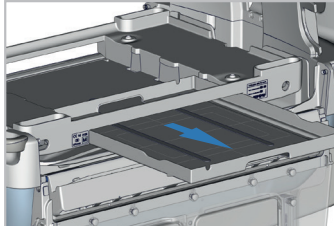
**8** Place mattress on the mattress tray. Pull heated mattress\* and scale\* cables through grommets and plug into sensor wall.

**6** Remove the mattress tray.



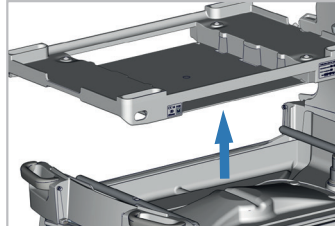
**7** Fit the mattress tray in place.

**7** Raise the x-ray tray and pull it out.



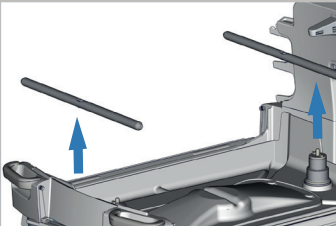
**6** Slide in the x-ray tray and close x-ray tray flaps.

**8** Remove the bed support.



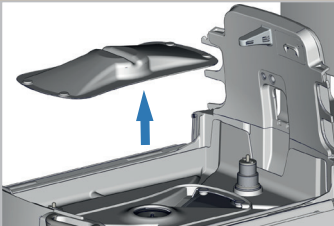
**5** Fit the bed support and push it over the T-bars.

**9** Remove the T-bars.



**4** Attach the T-bars.

**10** Remove the small cover for the warm air duct.




**3** Insert the small cover for the warm air duct.

**11** Remove the large cover for the warm air duct.



**2** Insert the large cover for the warm air duct.

**12** Raise and remove the fan impeller.



**1** Insert the fan impeller. Ensure that it is tightly pressed down and clicks into position.

\* Option

◀ Assembly